

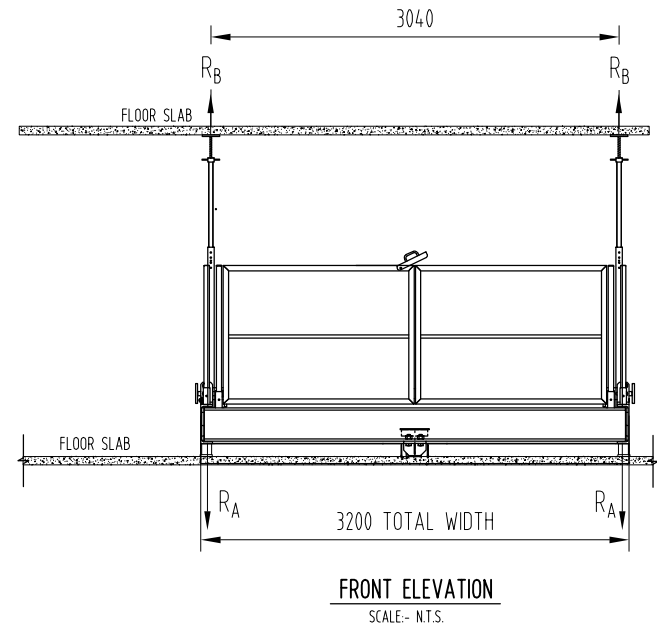
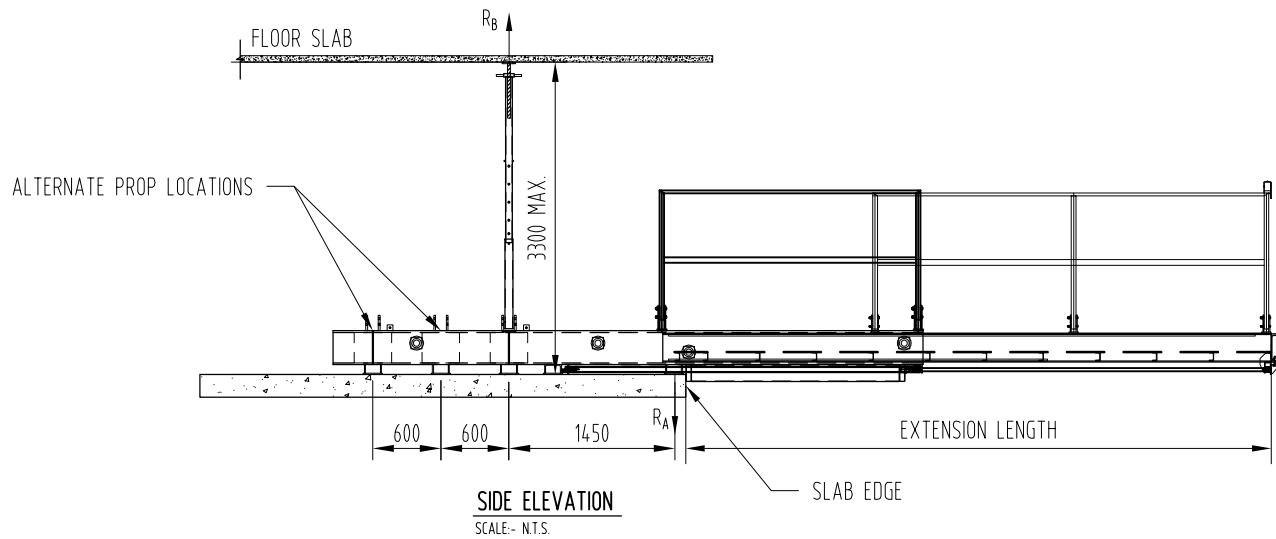
PH: +61 2 4372 1755
e: info@activecranehire.com.au
www.activecranehire.com.au
8 Ainslie Close
Somersby, 2250 NSW
Australia

"You're in Good Hands"

100% Australian Made & Built



Another Quality Product by: **Active Crane Hire**



DECK LOADS		
EXTENSION LENGTH 4500		
	UDL WLL: 2000 Kg (500 Kg PER SQUARE METRE)	UDL WLL: 5000 Kg (375 Kg PER SQUARE METRE)
	LOAD AREA = 1500 x 2650	LOAD AREA = 5000 x 2650
REACTION RA	80 kN	140 kN
REACTION RB	55 kN	80 kN
EXTENSION LENGTH 5250		
	UDL WLL: 1000 Kg (185 Kg PER SQUARE METRE)	UDL WLL: 2500 Kg (185 Kg PER SQUARE METRE)
	LOAD AREA = 2000 x 2650	LOAD AREA = 5000 x 2650
REACTION RA	55 kN	95 kN
REACTION RB	37.5 kN	65 kN

NOTE:

1. UDL WLL = UNIFORMLY DISTRIBUTED WORK LOAD LIMIT IS THE TOTAL LOAD RATING DISTRIBUTED EVENLY OVER THE LOAD AREA AS SHOWN IN THE TABLE ABOVE.
2. REACTIONS RA & RB ARE TO BE APPLIED TO THE STRUCTURE AT EACH SIDE OF THE LOADING PLATFORM.
3. REACTIONS RA & RB ARE IN ULTIMATE LIMIT STATE.